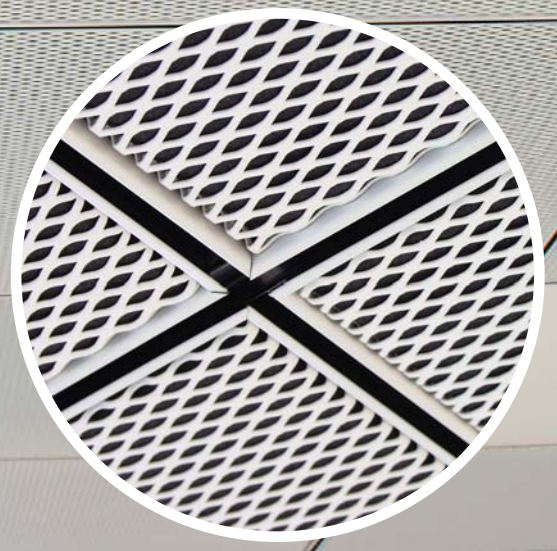
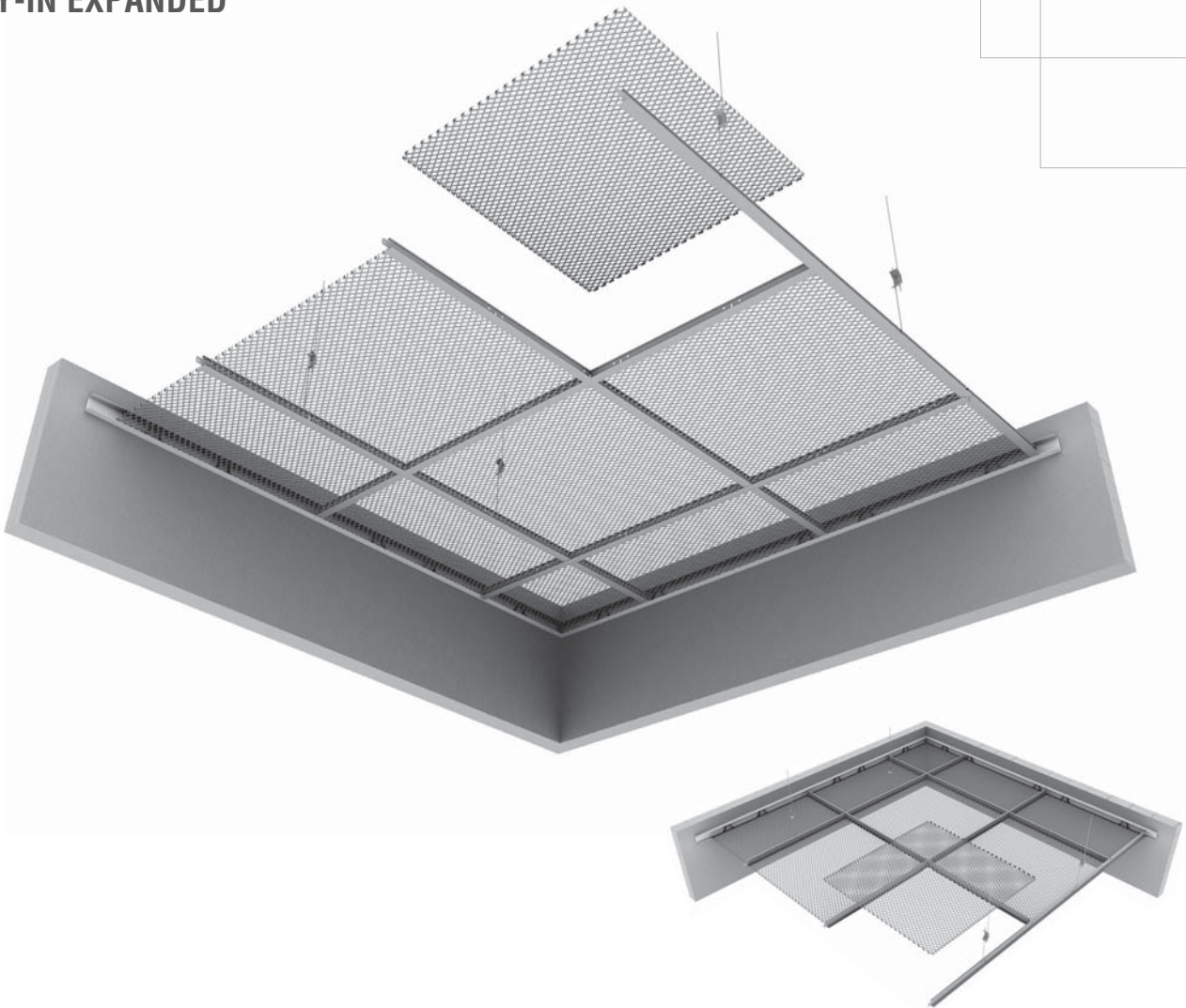


STANDARD



## EXPANDED STANDARD SYSTEMS

### LAY-IN EXPANDED



Integra Expanded Lay-in panels provide architects with different design options and they are fully compatible with T-24 and T-15 suspension systems. Lay-in panels can be easily demounted without the need for tools. It is possible to produce panels with special recess as well as standard recessed options.

**Material** Galvanized Steel, Aluminum

**Dimension** 600x600

**Standard Colours** RAL 9010 and RAL 9006

- Production is possible in all other RAL colours upon request
- It can be produced with anodized form or without paint, upon request.

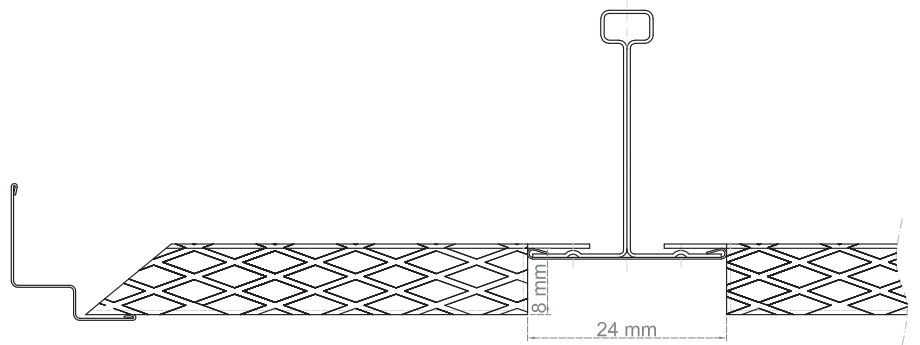
**Acoustics** Flattened Panels can be covered in acoustic fabric when sound values area consideration and thereby help to ensure a high level of sound absorption in the space where they are applied.

**Areas of Usage** Offices, shopping centers, airports, metro stations

# EXPANDED STANDARD DIMENSION SYSTEMS

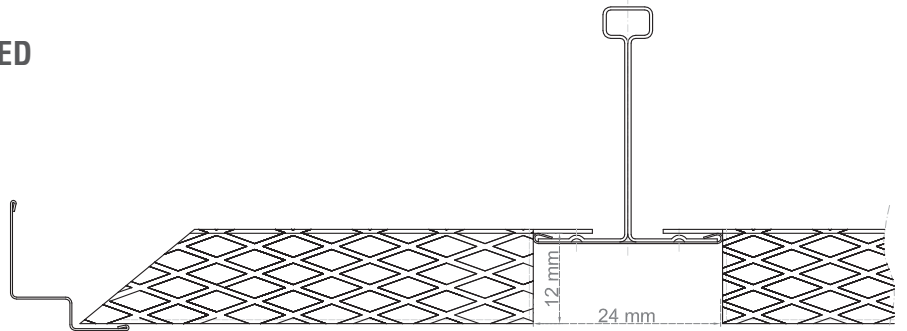
## REGULAR LAY-IN EXPANDED

8 mm recessed.



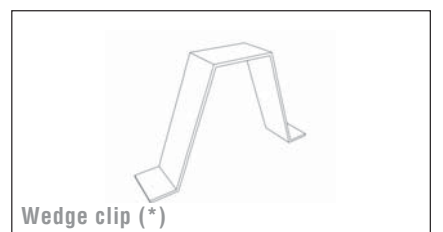
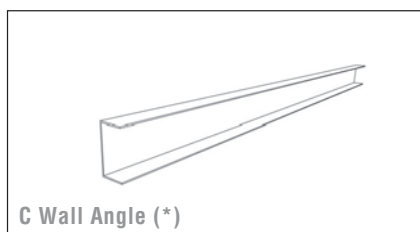
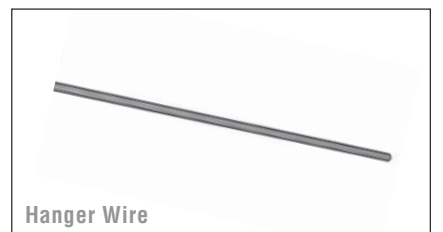
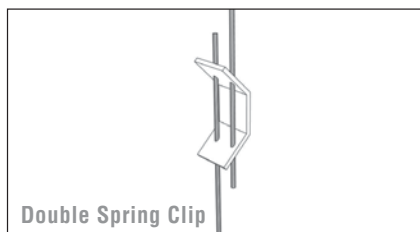
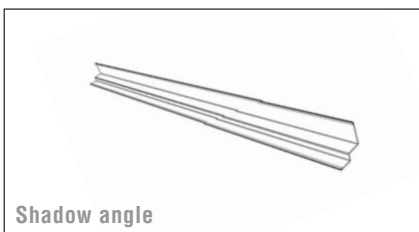
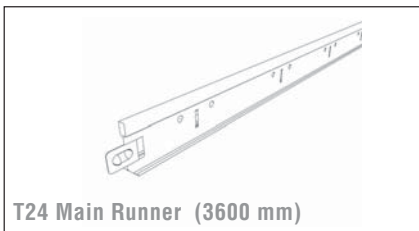
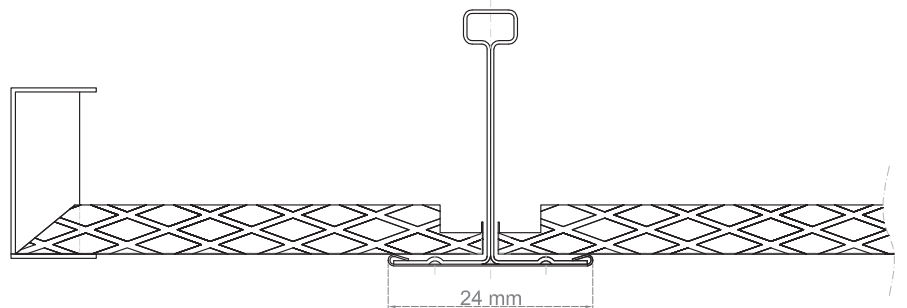
## DEEP REGULAR LAY-IN EXPANDED

12 mm recessed.



## FLAT LAY-IN EXPANDED

No recessed.



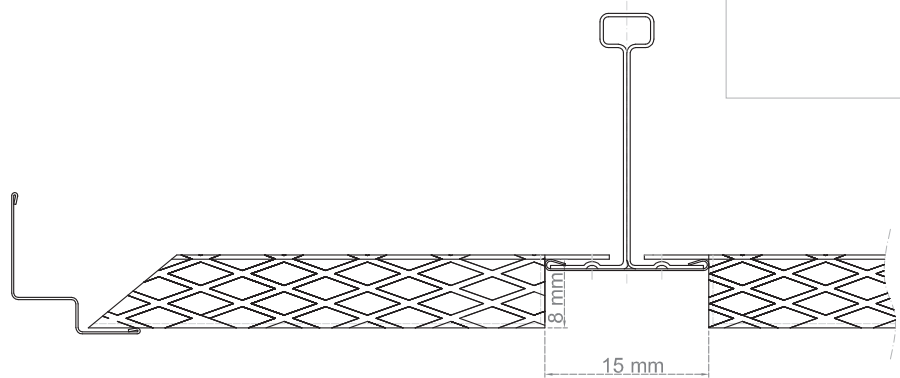
(\*) Used only in Flat-Lay in Expanded System



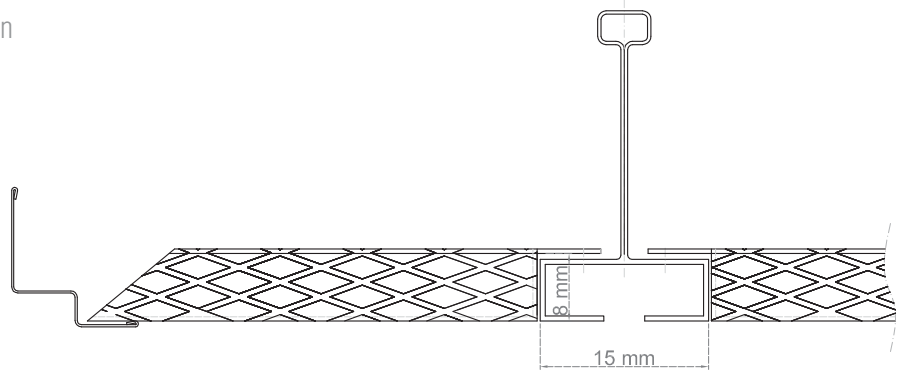
## EXPANDED STANDARD DIMENSION SYSTEMS

### MICROLOOK LAY-IN EXPANDED

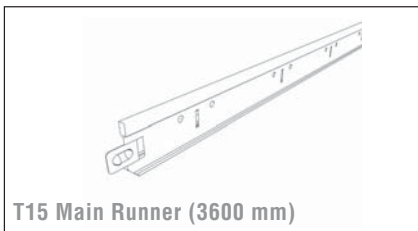
8 mm recessed.



Fully integrated with groove suspension



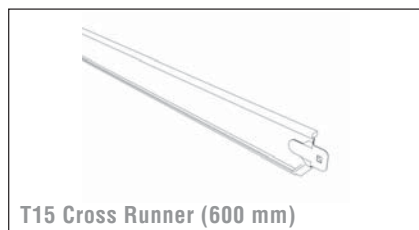
GROOVE SUSPENSION



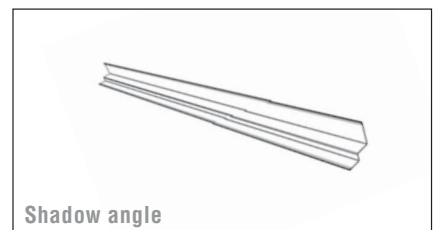
T15 Main Runner (3600 mm)



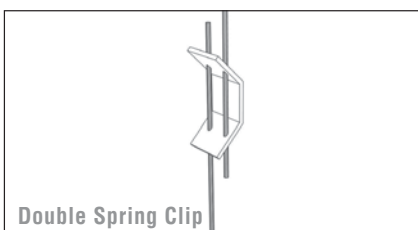
T15 Cross Runner (1200 mm)



T15 Cross Runner (600 mm)



Shadow angle



Double Spring Clip



Hanger Wire



Steel Anchor

